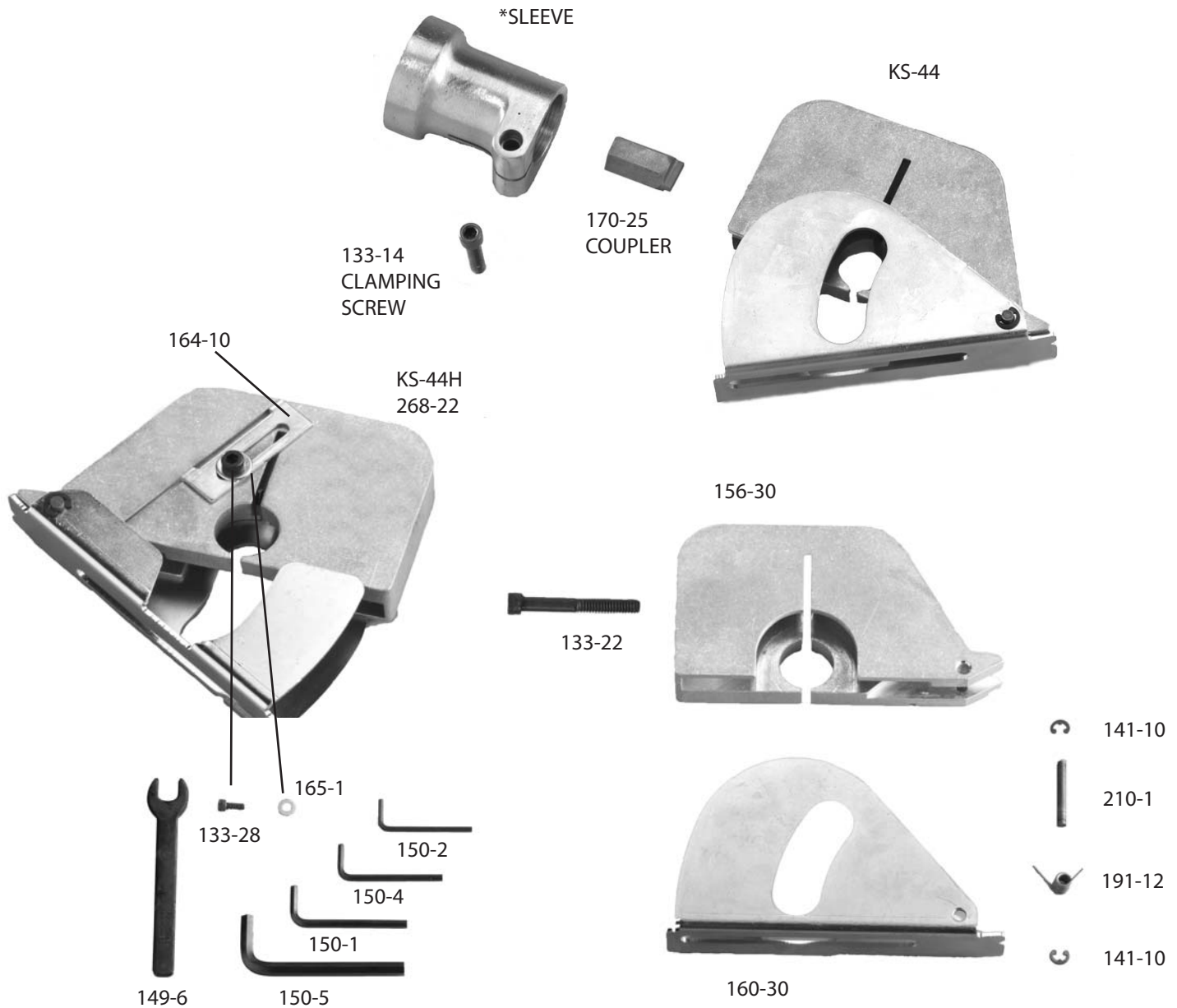




COMPONENT PARTS OF KS-44 SAW UNIT

*Use 267-45 Sleeve on KS-44AM Saw

*Use 567-2A Sleeve on KS-444 and PS-544 Saws



Part No. Description	Part No. Description	Part No. Description	Part No. Description
133-14 Clamping Screw	150-1 3/16" Socket Key	160-30 Saw Guard	267-45 Sleeve
133-22 Screw	150-2 1/8" Socket Key	164-10 Depth Stop	268-22 KS-44H Guard and Body Assembly
133-28 Screw	150-4 5/32" Socket Key	165-1 Washer	567-2A Sleeve
141-10 Retaining Ring (2)	150-5 5/16" Socket Key	170-25 Coupler	KS-44 Saw Unit Complete
149-6 Spindle Wrench	156-30 Saw Body	210-1 Guard Pin	

THE KETT TOOL CO. 5055 Madison Road Cincinnati, Ohio 45227

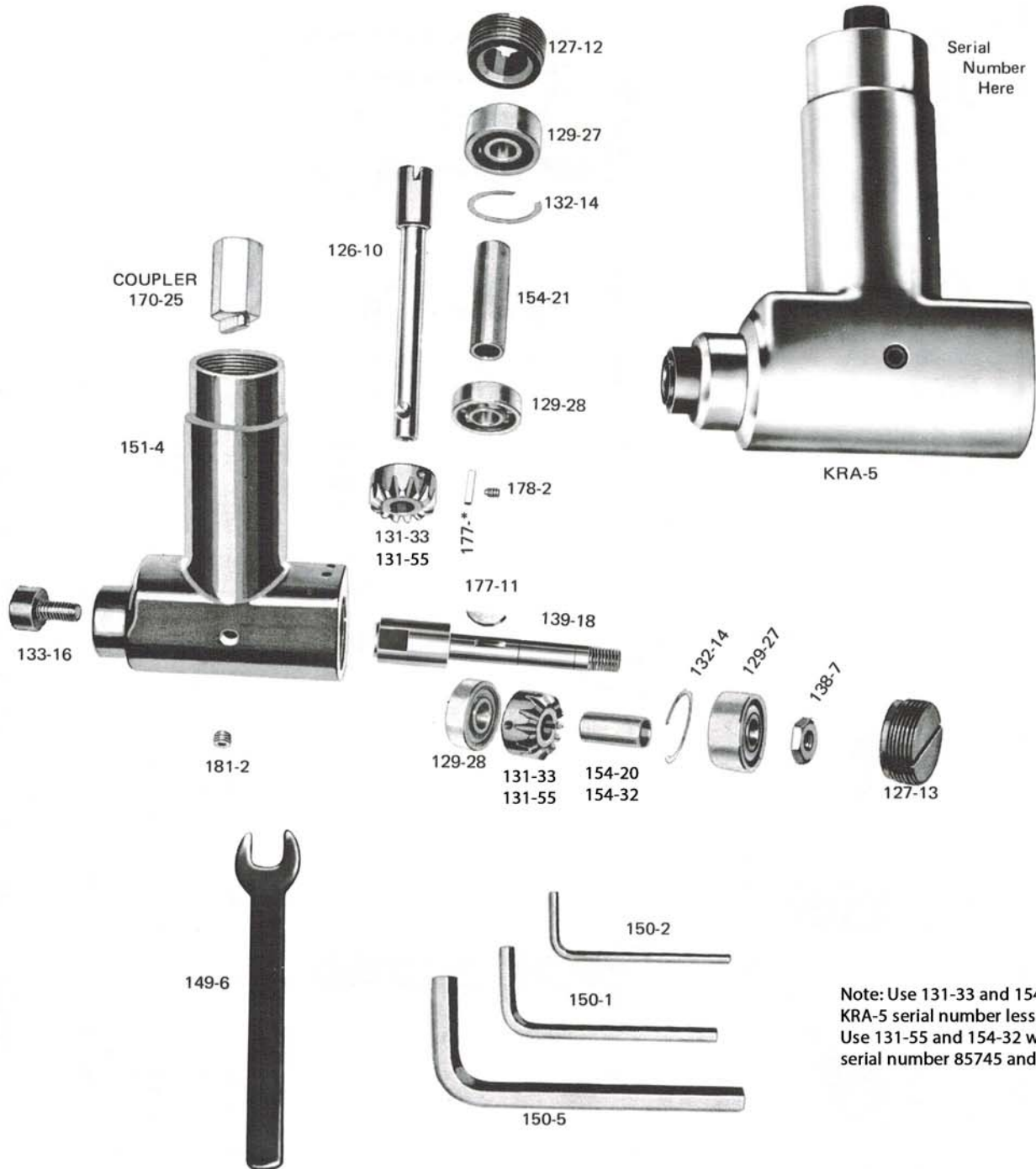
513-271-0333

Fax 513-271-5318

e-mail info@kett-tool.com www.kett-tool.com

COMPONENT PARTS FOR KRA-5 GEARED ANGLE HEAD

s/n 15241 & higher



Note: Use 131-33 and 154-20 with KRA-5 serial number less than 85744
Use 131-55 and 154-32 with KRA-5 serial number 85745 and greater.

Part No.	Description	Part No.	Description	Part No.	Description
126-10	Input Spindle	139-18	Output Spindle	177-*	Key (See serial number on neck of KRA-5 above)
127-12	Retaining Screw	149-6	Spindle Wrench		S/N 15240 & lower use 177-7 square key.
127-13	Retaining Screw	150-1	3/16 Socket Key		S/N 15241 & higher use 177-11 Woodruff Key
129-27	Ball Bearing	150-2	1/8 Socket Key	178-2	Socket Head Set Screw
129-28	Ball Bearing	150-5	5/16 Socket Key	181-2	Screw Plug
131-33	Mitre Gear	151-4	Housing		
131-55	Mitre Gear	154-20	Sleeve		
132-14	Shim	154-32	Sleeve		
133-14	Clamping Screw	154-21	Sleeve		
133-16	Spindle Bolt	170-25	Coupler		
138-7	Jam Nut	177-11	Woodruff Key		