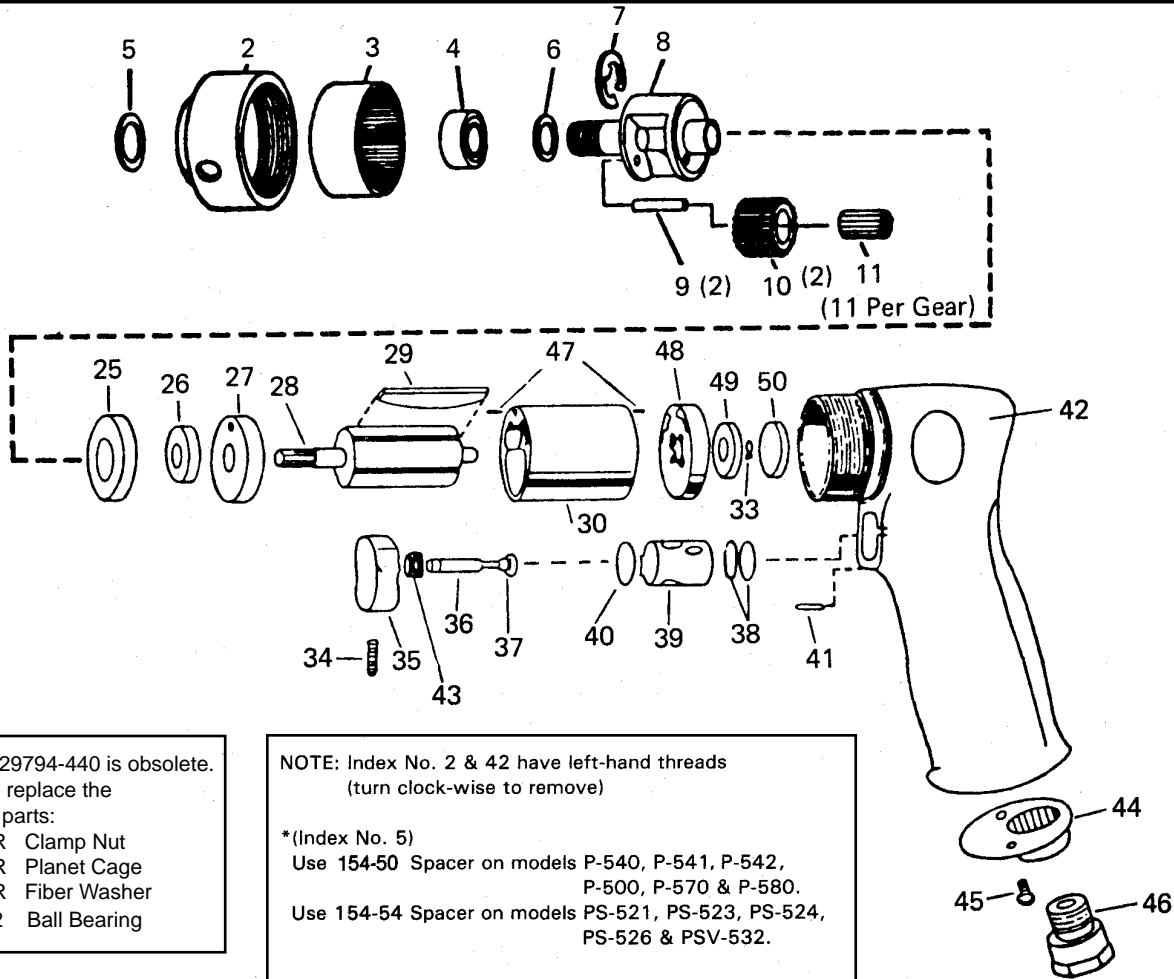




# PARTS LIST FOR PNEUMATIC POWER UNITS

253-38 (SERIAL NUMBER 2001 TO 9600)

253-57 (SERIAL NUMBER 9601 & HIGHER)



**\*\*Part #729794-440 is obsolete.**  
To repair, replace the following parts:  
729799-R Clamp Nut  
729794-R Planet Cage  
729797-R Fiber Washer  
49423-02 Ball Bearing

**NOTE: Index No. 2 & 42 have left-hand threads (turn clock-wise to remove)**

**\*(Index No. 5)**  
Use 154-50 Spacer on models P-540, P-541, P-542, P-500, P-570 & P-580.  
Use 154-54 Spacer on models PS-521, PS-523, PS-524, PS-526 & PSV-532.

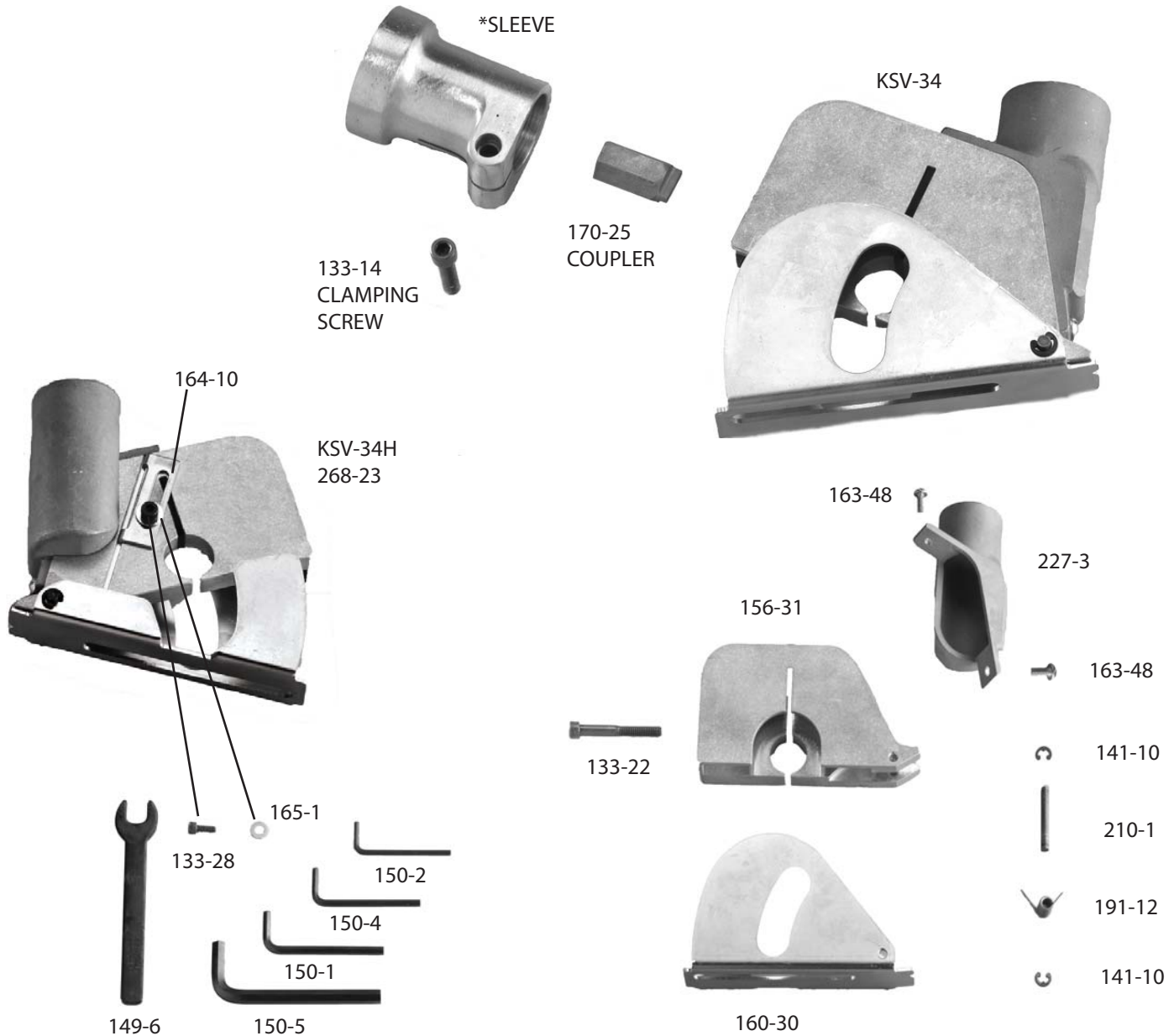
INDEX NO.	PART NO.	DESCRIPTION	REQ'D TOOL	INDEX NO.	PART NO.	DESCRIPTION	REQ'D TOOL
2	729799-R	Clamp Nut (253-57)	1	29	729709	Rotor Blade	4
	729799-440	Clamp Nut (253-38)	1	30	729708	Cylinder	1
3	729798	Internal Gear	1	33	1012831	Retaining Ring	1
4	49423-02	Ball Bearing (253-57)	1	34	731928	Set Screw	1
	1008854	Ball Bearing (253-38)	1	35	731929	Trigger	1
5	154-*	Spacer	1	36	731926	Valve Stem	1
6	729797-R	Fiber Washer (253-57)	1	37	729591	O-ring	1
	729797	Fiber Washer (253-38)	1	38	729091	O-ring	2
7	729208	Ret. Ring (used only on 253-38)	1	39	731927	Valve Bushing	1
8	729794-R	Planet Cage (253-57)	1	40	729263	O-ring	1
	729794-440	Planet cage (253-38) obsolete**	1	41	731930	Pin	1
9	729796-440	Planet Pin	2	42	731923-440	Motor Housing	1
10	729795	Planet Gear (incl. 729808 Needle Rollers)	2	43	731925	Valve Spring	1
11	729808	Needle Rollers (see 729795 Planet Gear)	22	44	731922	Housing End Cap	1
25	1008212	Ball Bearing	1	45	731921	Screw	2
26	1001532	Ball Bearing	1	46	731920	Air Inlet	1
27	729793	Front Plate	1	47	729707	Dowel Pin	2
28	729792	Rotor	1	48	729791	Rear Plate	1
				49	729012	Ball Bearing	1
				50	729178	Bearing Seal	1



# COMPONENT PARTS OF KSV-34 SAW UNIT

\*Use 267-45 Sleeve on KSV-34AM Saw

\*Use 567-2A Sleeve on KSV-434 and PSV-534 Saws



Part No.	Description	Part No.	Description	Part No.	Description	Part No.	Description
133-14	Clamping Screw	150-2	1/8" Socket Key	164-10	Depth Stop	267-45	Sleeve
133-22	Screw	150-4	5/32" Socket Key	165-1	Washer	268-23	KSV-34H Guard and Body Assembly
133-28	Screw	150-5	5/16" Socket Key	170-25	Coupler	567-2A	Sleeve
141-10	Retaining Ring (2)	156-31	Vacuum Saw Body	210-1	Guard Pin	KSV-34	Saw Unit Complete
149-6	Spindle Wrench	160-30	Saw Guard	227-3	Vacuum Head		
150-1	3/16" Socket Key	163-48	Screw (2)				

THE KETT TOOL CO. 5055 Madison Road Cincinnati, Ohio 45227

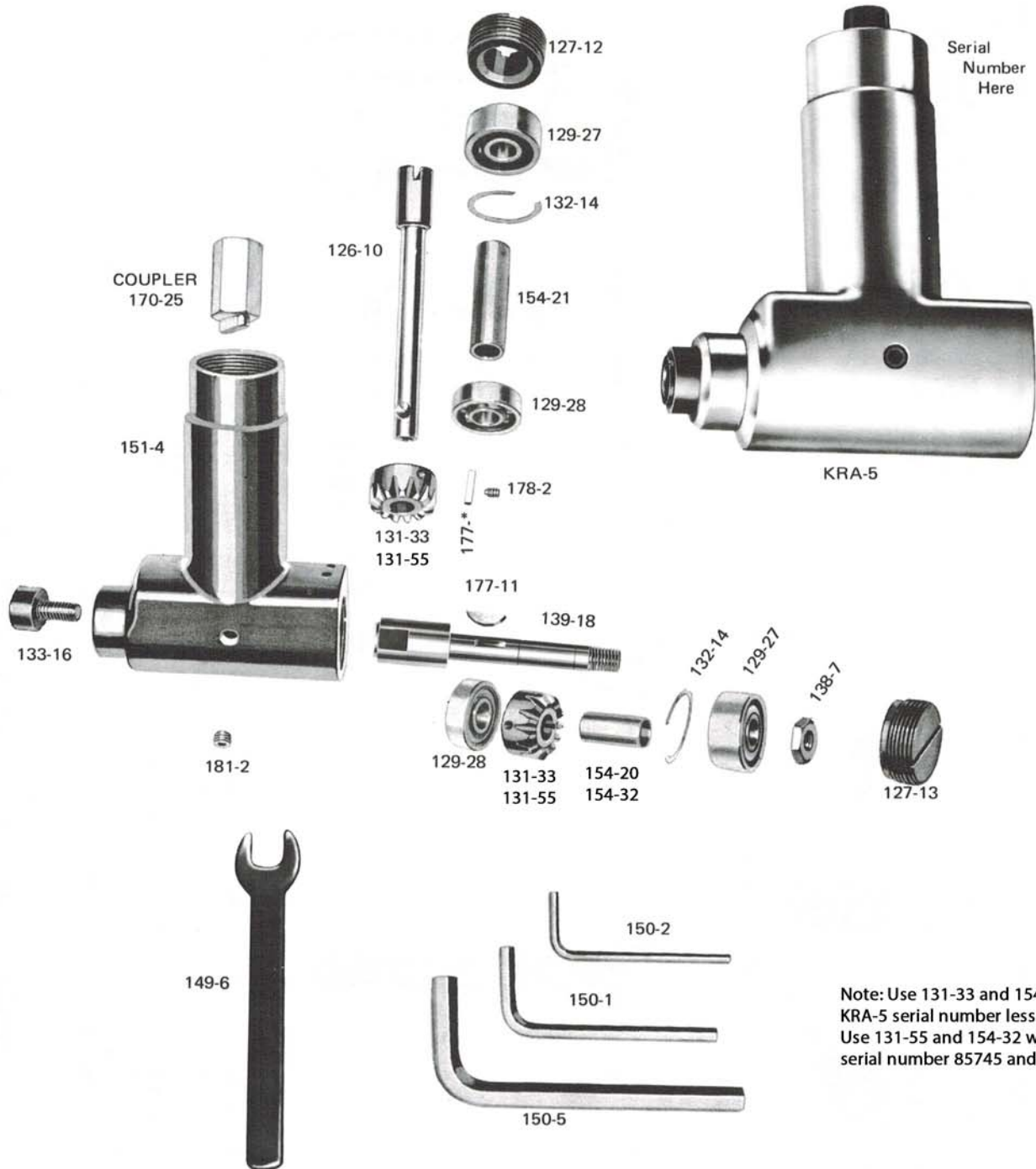
513-271-0333

Fax 513-271-5318

e-mail info@kett-tool.com www.kett-tool.com

# COMPONENT PARTS FOR KRA-5 GEARED ANGLE HEAD

s/n 15241 & higher



Note: Use 131-33 and 154-20 with KRA-5 serial number less than 85744  
Use 131-55 and 154-32 with KRA-5 serial number 85745 and greater.

Part No.	Description	Part No.	Description	Part No.	Description
126-10	Input Spindle	139-18	Output Spindle	177-*	Key (See serial number on neck of KRA-5 above)
127-12	Retaining Screw	149-6	Spindle Wrench		S/N 15240 & lower use 177-7 square key.
127-13	Retaining Screw	150-1	3/16 Socket Key		S/N 15241 & higher use 177-11 Woodruff Key
129-27	Ball Bearing	150-2	1/8 Socket Key	178-2	Socket Head Set Screw
129-28	Ball Bearing	150-5	5/16 Socket Key	181-2	Screw Plug
131-33	Mitre Gear	151-4	Housing		
131-55	Mitre Gear	154-20	Sleeve		
132-14	Shim	154-32	Sleeve		
133-14	Clamping Screw	154-21	Sleeve		
133-16	Spindle Bolt	170-25	Coupler		
138-7	Jam Nut	177-11	Woodruff Key		