

SAFETY RULES  
MODEL KL-2040  
ELECTRIC SHEAR



The KL-2040 has a  
DOUBLE INSULATED  
power unit equipped with a  
2 wire cord and  
2 prong plug

## **IMPORTANT SAFETY INSTRUCTIONS**

### **Warning**

When using electric tools basic safety precautions should always be followed to reduce the risk of fire, electric shock, and personal injury, including the following:

*Read all instructions.*

*Save these instructions.*

### **For KL-2040 and all double insulated tools:**

When servicing, use only identical replacement parts.

## **SPECIFIC SAFETY RULES**

### **Keep Work Area Clean**

Cluttered areas and benches invite accidents. Keep work area well lit.

**Avoid Dangerous Environment** Don't expose power tools to rain or snow. Don't use power tools in damp or wet locations.



The symbol on the Caution Label is mean to convey this message. Ne pas exposer a la pluie et ne pas utiliser dans les emplacements humides.

### **Definitions of Symbols**

$N_o$  - No load speed

/min - per minute

Double insulated motor



### **Guard Against Electric Shock**

Prevent body contact with grounded surfaces, for example: pipes, radiators, ranges, refrigerator enclosures.

### **Keep Children Away**

Do not let visitors contact tool or extension cord. All visitors should be kept away from work area.

### **Store Idle Tools**

When not in use, tools should be stored in dry, high or locked-up place out of reach of children.

### **Don't Force Tool**

It will do the job better and safer at the rate for which it was designed.

### **Use Right Tool**

Don't force a small tool to do the job of a heavy duty tool. Don't use tool for on purpose not intended, for example-don't use a circular saw for cutting tree limbs or logs.

### **Dress Properly**

Do not wear loose clothing or jewelry. They can be caught in moving parts. Rubber gloves and footwear are recommended when working out doors.

Wear protective hair covering to contain long hair.

### **Use Safety Glasses**

Use safety equipment. Always wear eye protection.

### **Don't Abuse Cord**

Never carry tool by cord or yank it to disconnect from receptacle. Keep cord from heat, oil, and sharp edges. Replace damaged cords immediately.

### **Secure Work**

Use clamps or vise to hold work. It's safer than using your hand and it frees both hands to operate tool.

### **Don't Overreach.**

Keep proper footing and balance at all times.

### **Maintain Tools with Care**

Keep tools sharp and clean for best and safest performance. Follow instructions for lubricating and changing center blades and side knives. Inspect tool cords periodically and if damaged, have repaired by authorized service facility. Inspect extension cords periodically and if damaged or replace. Keep handles dry, clean, and be free from oil and grease.

### **Disconnect Tools**

When not in use; before servicing; when changing Center Blades, Side Knives, Brushes, etc.

### **Remove Adjusting keys and Wrenches**

Form Habit of checking to see that keys and adjusting wrenches are removed from tool before turning it on.

## **OPERATION**

### **Avoid Accidental Starting**

Don't carry plugged-in tool with finger on switch. Be sure switch is OFF when plugging in. Use of any accessory with this power unit might increase the hazard. The tool should be used only for the purpose for which it is designed.

### **Plug**

THE POLARIZED PLUG IS A SAFETY FEATURE. This tool is equipped with a polarized two wire AC line plug. The two wire polarized plug (having one blade wider than the other) will fit into the power outlet only one way. DO NOT DEFEAT THE SAFETY PURPOSE OF THE POLARIZED PLUG, by tampering with it. If the plug does not fit you should still be unable to fully insert the plug into the socket, you may find that a proper outlet is needed to meet today's electrical standards. An electrician will replace your outlet safely.

### **Extension Cords**

Always check the extension cord and repair or replace if damaged.

### **Outdoor Use Extension Cords**

When tool is used outdoors, use only extension cords marked W-A or W.

### **Stay Alert**

Watch what you are doing, use common sense when operating a power tool. Do not use tool while tired or under the influence of drugs, alcohol or medication.

### **Check Damaged Parts**

Before further use of the tool, a guard or other part that is damaged should be carefully checked to determine that it will operate properly and perform its intended function. Check for alignment if moving parts, binding or moving parts, breakage of parts, mounting, and any other conditions that may affect its operation. A guard or other part that is damaged should be properly repaired or replaced by an authorized service center unless otherwise indicated elsewhere in this instruction manual. Have defective switches replaced by authorized service center. Do not use tool if switch does not turn it on or off.

**DO NOT OPERATE** power tools in explosive atmospheres such as in the presence of flammable liquids, gases, or dust. Motors in these tools normally spark and sparks can possibly ignite fumes.

Read all instruction.  
Save these instructions.

## FUNCTIONAL DESCRIPTION

Please read carefully all safety rules and operating instructions. The Model KL-2040 Shear is recommended for CR sheet steel up to 13 gage

Pre-starting procedure (Fig. 1)

Check all fasteners to make sure they are tight.

Check blades to make sure they are sharp.

Check that gap S (Fig. 2) between blades corresponds to thickness (K) of cut material.

Thickness (K) of cut material, mm	0.5-0.8	0.9-1.3	1.4-1.8	2-2.5
Gauge	26-21	20-17	16-14	13
Gap, S, mm, approx.	0.1	0.2	0.3	0.4
Inches	.004	.008	.012	.016

The gap is set at 0.4 mm (.016") from the factory.

### Switching on and off (Fig. 1)

Move the trigger (3) forward to turn the nibbler ON; moving the trigger back turns the nibbler OFF.

Red dot on housing (4) near the trigger (2) shows that switch is in ON position.

### Test run

Perform a no-load test run of 10-15 seconds prior to starting cutting.

### Working procedure (Fig. 1)

- With the shears 'ON', insert it into the cutting sheet between the moving blade (10) and stationary blade (11).
- Begin cutting by putting consistent pressure in the direction of the cut.
- When trimming off a narrow strip off the sheet, place shears so that strip is on the right side and the yoke (8) is down.
- The minimum cutting radius (R) for 13 gauge material is 10 inches. For thinner materials the curved cut can be made tighter.
- Don't overload the tool when cutting – the temperature of the gear housing (1) and the front motor housing (4) should not exceed accordingly 108°F and 90°F above ambient. The cooling holes should always be clean and un-obstructed.

### Blades adjustment and replacement

To change the gap S (Fig.2) between blades (4):

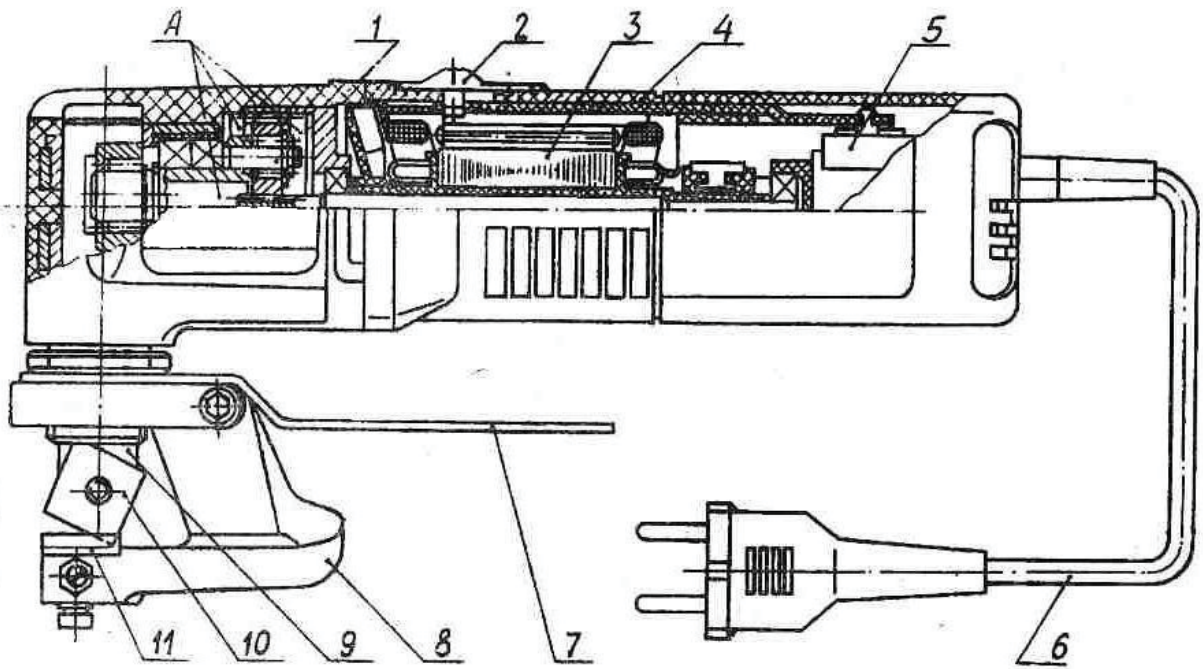
- Move plunger (8, Fig 2) to the bottom stroke by manually rotating electric motor armature by the fan blades with the wooden or plastic stick through the opening in the housing (1, Fig.1).
- Loosen up nut (5, Fig.2) by one revolution with an 8-mm wrench
- Loosen up screw (6, Fig. 2) by 1...2 revolutions with a flat screwdriver
- Loosen up screw (7, Fig. 2) by 1...2 revolutions with a 5-mm allen wrench (supplied)
- Place a corresponding to the material thickness adjustment gage (set of 4 gages supplied, see gap S chart above) between blades and tighten screws (7), then screw (6) and then nut (5). Screw (7) should be very tight to prevent the bottom blade from moving during the cut.

If shears stopped cutting or cutting became difficult, check the blades cutting edges for excessive wear and rotate, if necessary:

- Loosen up nut (5), stop screw (6), then screws (1) and (7) by 1...2 revolutions.
- Turn the blades to a fresh cutting edge (each blade has 4 cutting edges).
- Tighten the screws and adjust gap S, following the above procedure.
- When all cutting edges are worn, it is necessary to replace the blades. Notice that the blades sides are slightly tapered (creating a clearance angle). **They should be placed with the smaller face down, tapering outside.**

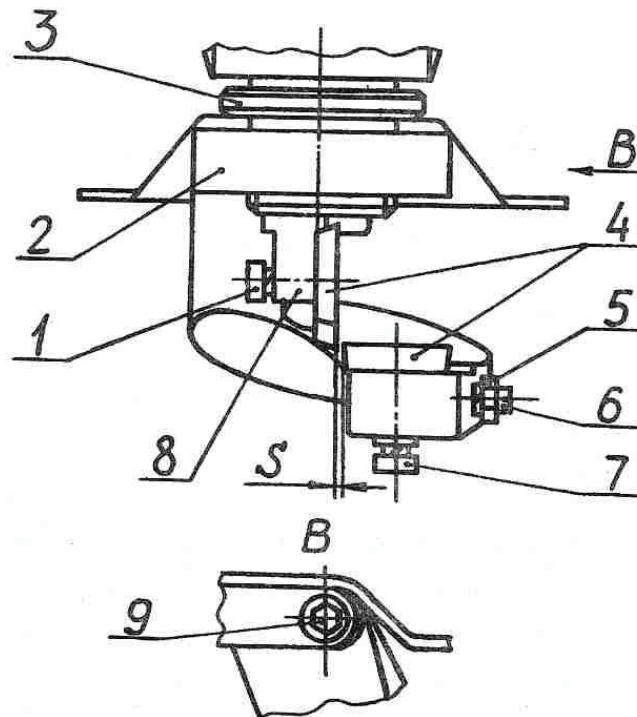
### Maintenance

- Before performing any work, unplug the power cord.
- Any maintenance work should be performed by a qualified specialist.
- For safe and proper operation, always keep the tool and the ventilation slots clean.
- Periodically, depending on operation intensity, check the brushes and change them when their height is lower than 7.5 mm. (Don't change the brush position in brush holder).
- After installing brand new brushes, run the tool no-load for several minutes to allow pre-shaping the ends of the new brushes to the commutator.



1-gear housing; 2-trigger; 3-electric motor; 4-front motor housing; 5-switch; 6-power cord;  
7- shield; 8-yoke; 9-plunger; 10-moving blade; 11-stationary blade .

Fig.1



1- screw; 2- yoke; 3- nut; 4- blade; 5- nut; 6- screw;  
7- screw; 8- plunger; 9- screw.

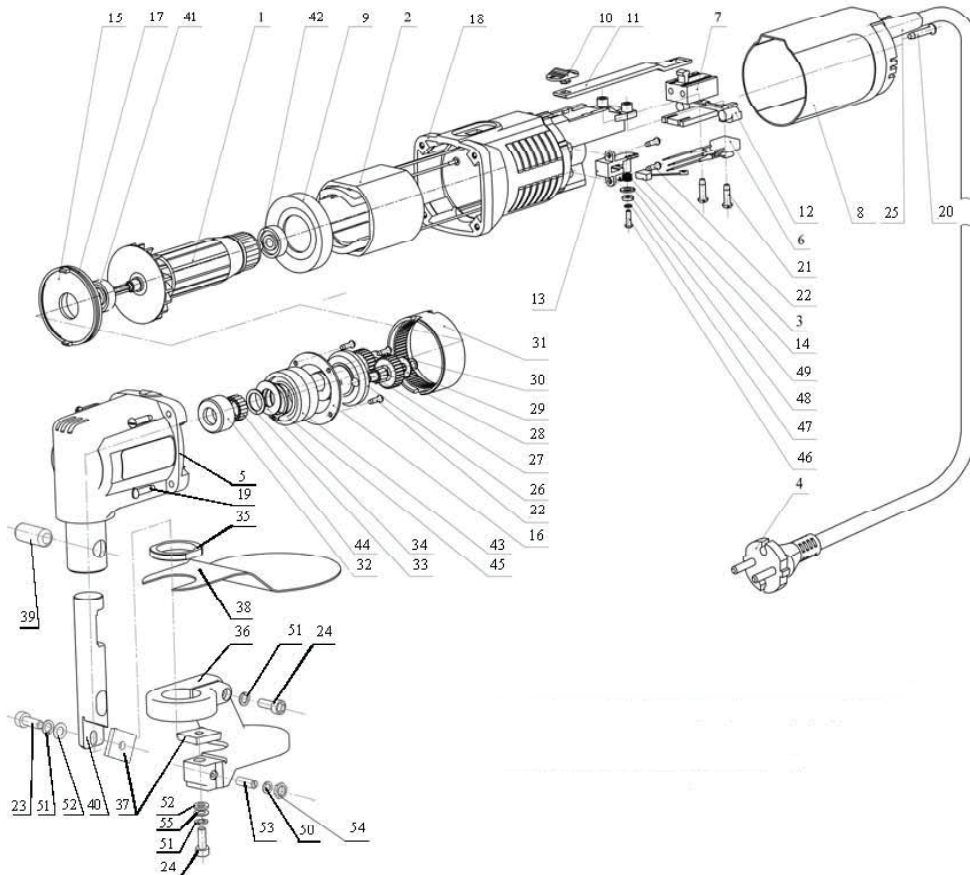
Fig. 2



# Model KL-2040

## 13 GAUGE THROATLESS SHEAR

### COMPONENT PARTS LIST



ITEM NO.	PART NO.	DESCRIPTION	REQ'D TOOL	ITEM NO.	PART NO.	DESCRIPTION	REQ'D TOOL
1	L1012	Armature	1	28	L1020	Satellite	2
2	L1011	Fields	1	29	L1028	Washer	2
3	L1044	Brush	2	30	L1019	E-Ring	2
4	872824	Power Cord	1	31	L1021	Ring Gear	1
5	L1013	Gear Housing	1	32	L1031	Race	1
6	L1004	Capacitor	1	33	L1025	Washer	1
7	L1003	Switch	1	34	L1057	Washer	1
8	L1000	Motor Housing, Rear	1	35	L1034	Nut	1
9	L1014	Diaphragm	1	36	L1036	Yoke	1
10	L1009	Trigger	1	37	L1037	Blade	2
11	L1008	Lever	1	38	L1035	Shield	1
12	L1046	Insert	1	39	L1033	Guide	1
13	L1045	Brush Holder	2	40	L1032	Plunger	1
14	L1050	Spring	2	41	L1016	Bearing	1
15	L1018	Intermediate Disk	1	42	L1007	Bearing	1
16	L1029	Disk	1	43	L1023	Bearing	2
17	L1017	Seal	1	44	L1022	Needle	40
18	L1010	Motor Housing, Front	1	45	L1024	Retaining Ring	1
19	L1055	Screw	4	46	L1054	Screw	2
20	L1049	Screw	2	47	L1051	Washer	2
21	L1005	Screw	2	48	L1052	Washer	2
22	L1030	Screw	4	49	L1053	Washer	2
23	L1048	Screw	1	50	L1041	Washer	1
24	L1038	Screw	2	51	L1039	Washer	3
25	L1002	Cord Releif	1	52	L1040	Washer	1
26	L1064	Planet Carrier	1	53	L1043	Screw	1
27	L1027	Shaft	2	54	L1042	Nut	1



**The Kett Tool Company**

5055 Madison Road  
Cincinnati, Ohio 45247

(513)271-0333

fax (513)271-5318

[www.kett-tool.com](http://www.kett-tool.com)

[info@kett-tool.com](mailto:info@kett-tool.com)

K11-374