

SAFETY RULES
MODEL KL-280
ELECTRIC SHEAR



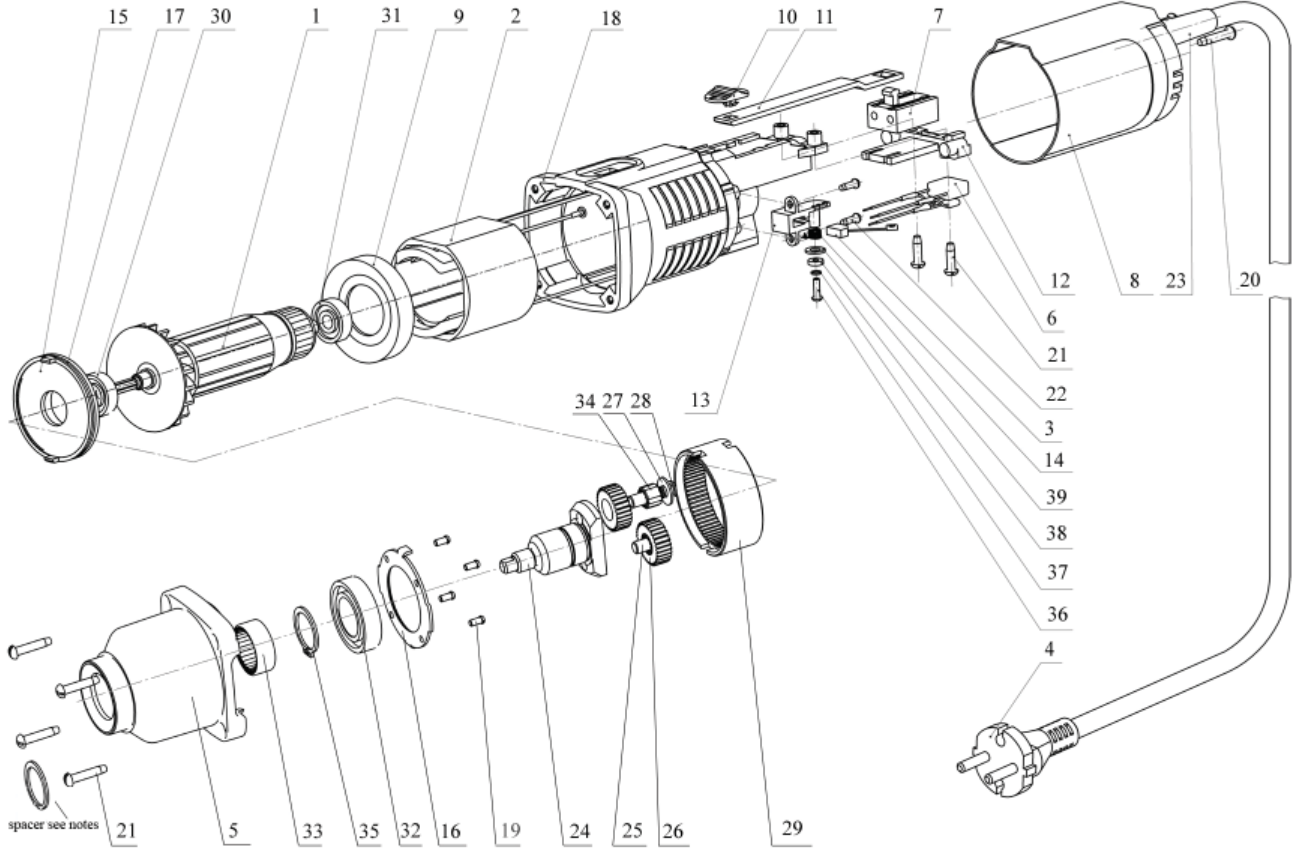
The KL-280 has a
DOUBLE INSULATED
power unit equipped with a
2 wire cord and
2 prong plug



Component Motor Unit Model 253-80

Used on KL-200, KL-240, KL-241, KL-242, KL-246L, KL-246R, KL-246L and KL-280

PARTS LIST



ITEM NO.	PART NO.	DESCRIPTION	REQ'D TOOL	ITEM NO.	PART NO.	DESCRIPTION	REQ'D TOOL
1	L1012	Armature	1	22	L1030	Screw	4
2	L1011	Field	1	23	L1002	Cord Relief	1
3	L1044	Brush	2	24	L1064	Planet Carrier	1
4	872824	Power Cord	1	25	L1027	Shaft	2
5	L1058	Gear Housing	1	26	L1020	Satellite Gear	2
6	L1004	Capacitor	1	27	L1028	Washer	2
7	L1003	Switch	1	28	L1019	E-Ring	2
8	L1000	Motor Housing, Rear	1	29	L1021	Ring Gear	1
9	L1014	Diaphragm	1	30	L1016	Bearing	1
10	L1009	Trigger	1	31	L1007	Bearing	1
11	L1008	Lever	1	32	L1023	Bearing	1
12	L1046	Insert	1	33	L1075	Bearing	1
13	L1045	Brush Holder	2	34	L1022	Needle	20
14	L1050	Spring	2	35	L1024	Retaining Ring	1
15	L1018	Intermediate Disk	1	36	L1054	Screw	2
16	L1070	Disk	1	37	L1051	Washer	2
17	L1017	Seal	1	38	L1052	Washer	2
18	L1010	Motor Housing, Front	1	39	L1072	Washer	2
19	L1001	Screw	4				
20	L1049	Screw	2				
21	L1005	Screw	6				

Note:
 449893 spacer used with 60-20, 40-20, 42-20, 80-20, 1020 anc 2020.
 L1070 spacer used with 41-20, 46-20R and 46-20L.

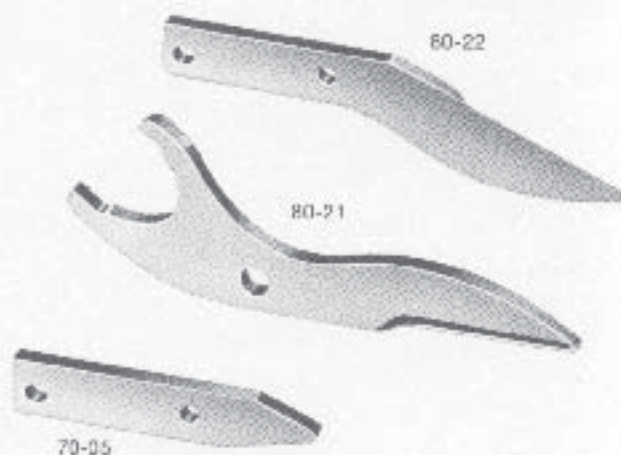
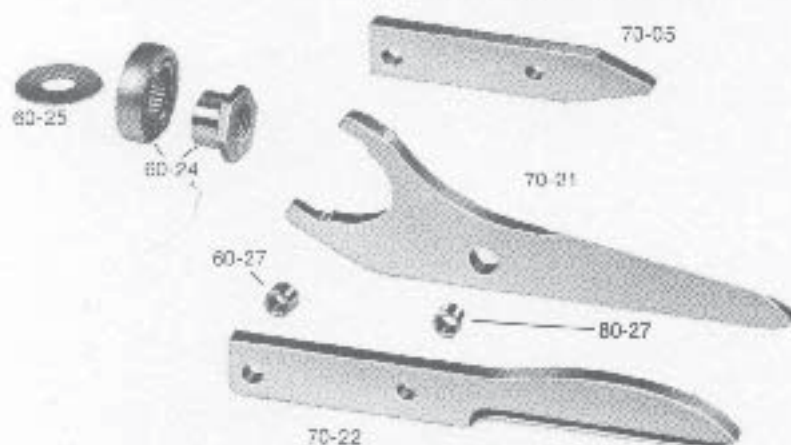


Instructions for the Care of the Kett Scissor Shears Head



CAUTION:
Disconnect Power Unit Before Servicing Tool

No. 80-20 Shear Head Stationary Bottom Blade



DISASSEMBLY

To remove shear head from motor loosen three cap screws (60-28). Remove shear head from motor by pulling head firmly forward. Slight twisting action may be required if head does not slide off easily.

To remove cutter blades from shear head remove three cap screws (60-28) completely from shear housing (60-23). Be careful not to lose rear spacer bushing (60-27) when removing middle cap screw. Remove center scissor blade from shear housing by tapping blade gently rearward. Be careful not to lose spacer bushing (60-27) from hole in center blade. Side knife and side spacer (70-05) will now drop out of the shear housing.

To remove eccentric bearing assembly (60-24) from shaft use an appropriate wrench to loosen eccentric nut by turning counter clockwise.

ASSEMBLY

To install eccentric bearing assembly (60-24) onto shaft make sure the large thin washer (60-25) is first inserted over shaft. Screw eccentric bearing assembly onto shaft and tighten with appropriate wrench. Lubricate bearing with a good grade of bearing grease.

To install cutter blades into shear housing (60-23) place the side knife and side spacer into position in the shear housing (60-23). Insert center cap screw (60-28) through side knife and side spacer with rear spacer bushing (60-27) between them and start cap screw into thread just enough to hold blades in place. DO NOT TIGHTEN. Insert spacer bushing (60-27) into hole in center scissor blade and lubricate with a good grade of bearing grease. Install center scissor blade into shear housing by tapping blade gently forward using a drift to line up hole in center blade with forward holes in housing. Insert and tighten forward cap screw (60-28) making sure spacer bushing (60-27) in center blade

60-23	Shearing Housing
60-24	Eccentric Bearing Assembly
60-25	Thin Washer, Large
60-27	Spacer Bushing
60-28	Cap Screw (3)
150-4	Allen Wrench
60-31	Knurled Insert (3)
70-05	Side Spacer
70-21	Center Scissor Blade
70-22	Side Knife
80-21	Center Scissor Blade
80-22	Side Knife
80-27	Spacer Bushing

stays in position. Apply good grade of bearing grease to clevis or yoke in center blade where it rides on the eccentric bearing assembly. Insert rear cap screw (60-28) into shear housing but do not completely tighten.

To install shear head assembly onto drive motor make sure all cap screws (60-28) are loosened about three or four complete turns. Place shear head onto unit and tighten cap screws snugly to lock head assembly in place. It may be necessary to gently tap the shear head into place if it does not readily slip onto the nose of the power unit.

SPECIAL SIDE KNIVES

For cutting woven wood or other rigid slat type materials side knives are available that do not have the wiping action of the standard Scissor Shears. These are: 75-22 Side Knife transforming the 70-20 Shear Head into the 75-20 Shear Head and the 85-22 Side Knife transforming the 80-20 Shear Head into the 85-20 Shear Head.

GENERAL SAFETY RULES

Warning

When using electric tools basic safety precautions should always be followed to reduce the risk of fire, electric shock, and personal injury, including the following:

Read all instructions.

Save these instructions.

For KL-280 and all double insulated tools:

When servicing, use only identical replacement parts.

Guard Against Electric Shock

Prevent body contact with grounded surfaces, for example: pipes, radiators, ranges, refrigerator enclosures.

Keep Children Away

Do not let visitors contact tool or extension cord. All visitors should be kept away from work area.

Store Idle Tools

When not in use, tools should be stored in dry, high or locked-up place out of reach of children.

Don't Force Tool

It will do the job better and safer at the rate for which it was designed.

Use Right Tool

Don't force a small tool to do the job of a heavy duty tool. Don't use tool for on purpose not intended, for example-don't use a circular saw for cutting tree limbs or logs.

Dress Properly

Do not wear loose clothing or jewelry. They can be caught in moving parts. Rubber gloves and footwear are recommended when working out doors.

Wear protective hair covering to contain long hair.

Use Safety Glasses

Use safety equipment. Always wear eye protection.

Don't Abuse Cord

Never carry tool by cord or yank it to disconnect from receptacle. Keep cord from heat, oil, and sharp edges. Replace damaged cords immediately.

Secure Work

Use clamps or vise to hold work. It's safer than using your hand and it frees both hands to operate tool.

Don't Overreach.

Keep proper footing and balance at all times.

Maintain Tools with Care

Keep tools sharp and clean for best and safest performance. Follow instructions for lubricating and changing center blades and side knives. Inspect tool cords periodically and if damaged, have repaired by authorized service facility. Inspect extension cords periodically and if damaged or replace. Keep handles dry, clean, and be free from oil and grease.

Disconnect Tools

When not in use; before servicing; when changing Center Blades, Side Knives, Brushes, etc.

Remove Adjusting keys and Wrenches

Form Habit of checking to see that keys and adjusting wrenches are removed from tool before turning it on.

Keep Work Area Clean

Cluttered areas and benches invite accidents. Keep work area well lit.

Avoid Dangerous Environment Don't expose power tools to rain or snow. Don't use power tools in damp or wet locations.

SYMBOLS

The symbol on the Caution Label is mean to convey this message. Ne pas exposer a la pluie et ne pas utiliser dans les emplacements humides. Don't use power tools in damp or wet locations.



Definitions of Symbols

N_0 = No load speed

/min = per minute

Double insulated motor =



Motor

Be sure your power supply agrees with nameplate marking. Use Alternating Current Only (50 to 60 Cycles), 120 volts. Voltage variation of more than 10% will cause loss of power and overheating. Motors are factory tested. If this shear does not operate, check the following: supply line for blown fuses; plug and receptacle for contact. This tool will stop when the brushes wear to a preset length. Damage to the motor is thus avoided.

FUNCTIONAL DESCRIPTION

Please read carefully all safety rules and operating instructions. The Model KL-280 Shear is recommended for woven wood slat type shades; carpeting and carpet underlay or padding; Linoleum; vinyl and rubber flooring tile; soft, pliable plastic sheeting up to 1/8" thickness; and many other similar sheet like materials.

The shear head can be rotated a full 360 degrees on the power unit making it possible to position it to cut in close quarters. This feature also serves to set the oscillating blade to a preferred position either to the top or the bottom of the shear unit.

If resistance to tool develops or cutting becomes difficult, discontinue cutting and check the following: Lubrication; thickness of material; sharpness of cutting blades. Blades can be sharpened.

OPERATION

Avoid Accidental Starting

Don't carry plugged-in tool with finger on switch. Be sure switch is OFF when plugging in. Use of any accessory with this power unit might increase the hazard. The tool should be used only for the purpose for which it is designed.

Plug

THE POLARIZED PLUG IS A SAFETY FEATURE. This tool is equipped with a polarized two wire AC line plug. The two wire polarized plug (having one blade wider than the other) will fit into the power outlet only one way. DO NOT DEFEAT THE SAFETY PURPOSE OF THE POLARIZED PLUG, by tampering with it. If the plug does not fit you should still be unable to fully insert the plug into the socket, you may find that a proper outlet is needed to meet today's electrical standards. An electrician will replace your outlet safely.

Extension Cords

Always check the extension cord and repair or replace if damaged.

Outdoor Use Extension Cords

When tool is used outdoors, use only extension cords marked W-A or W.

Stay Alert

Watch what you are doing, use common sense when operating a power tool. Do not use tool while tired or under the influence of drugs, alcohol or medication.

Check Damaged Parts

Before further use of the tool, a guard or other part that is damaged should be carefully checked to determine that it will operate properly and perform its intended function. Check for alignment if moving parts, binding or moving parts, breakage of parts, mounting, and any other conditions that may affect its operation. A guard or other part that is damaged should be properly repaired or replaced by an authorized service center unless otherwise indicated elsewhere in this instruction manual. Have defective switches replaced by authorized service center. Do not use tool if switch does not turn it on or off. **DO NOT OPERATE** power tools in explosive atmospheres such as in the presence of flammable liquids, gases, or dust. Motors in these tools normally spark and sparks can possibly ignite fumes.

MAINTENANCE

When servicing, use only identical replacement parts. Tool may be cleaned and lubricated by the user, but any other servicing, including the changing of carbon brushes, should be performed by the manufacturer or any authorized representative or service station.

Cable

The cable or cord is the "life line" of your tool. Keep it clean by wiping it off occasionally. Keep it out of oils and greases. Coil it neatly when not in use and avoid dragging it across sharp surfaces or using it as a handle to lift the tool.

When using the tool at a considerable distance from power source, an extension cable of adequate size must be used to prevent loss of power and overheating.

For extension cables up to 75 feet use number 18; for 100 feet use number 16; and for up to 200 feet use number 14 wire gage. If you are working with a 230 volt tool, cable lengths may be doubled using the same wire gage sizes as prescribed above for the 120 volt tool.

Lubrication

Always disconnect KL-280 Electric Shear from power source before lubricating.

Once every three months, depending upon usage, remove the shear Head from the power unit following the instructions given on the service sheet under the heading "Disassembly-To remove the shear head assembly (80-20) from the drive motor." Put a few drops of heavy oil on the Eccentric Bearing Assembly (60-24), so that it saturates the needle bearing (60-24- 2). Grease is even better if it can be forced or pressed into the needle bearing rollers. The outside surface of the Eccentric Bearing Ring (60-24-3) should also be greased.

Tools that have seen continuous use should also have the gear train lubricated periodically, preferably at the same time the eccentric bearing assembly is serviced. To lubricate the gears remove the screws that hold the gear case to the motor shell. Remove the gear case from the cover plate and wipe out the old grease with a cloth. Wash the gears and spindles with kerosene or cleaning fluid. Refill the gear case ONLY 1/3 FULL with a good standard gear grease. Never fill more than 1/3. The Ball bearing in the gear case is a closed type bearing. It has been permanently lubricated at the factory to last the life of the bearing. This bearing should NEVER be immersed in a solvent or cleaning fluid.

Adherence to these maintenance instructions will greatly increase the life of your Model KL-280 Electric Shear, so it will give you long and satisfactory service.



The Kett Tool Company . 5055 Madison Road . Cincinnati, Ohio 45247

513/271-0333 FAX 513/271-5318
www.kett-tool.com
info@kett-tool.com

K12-389