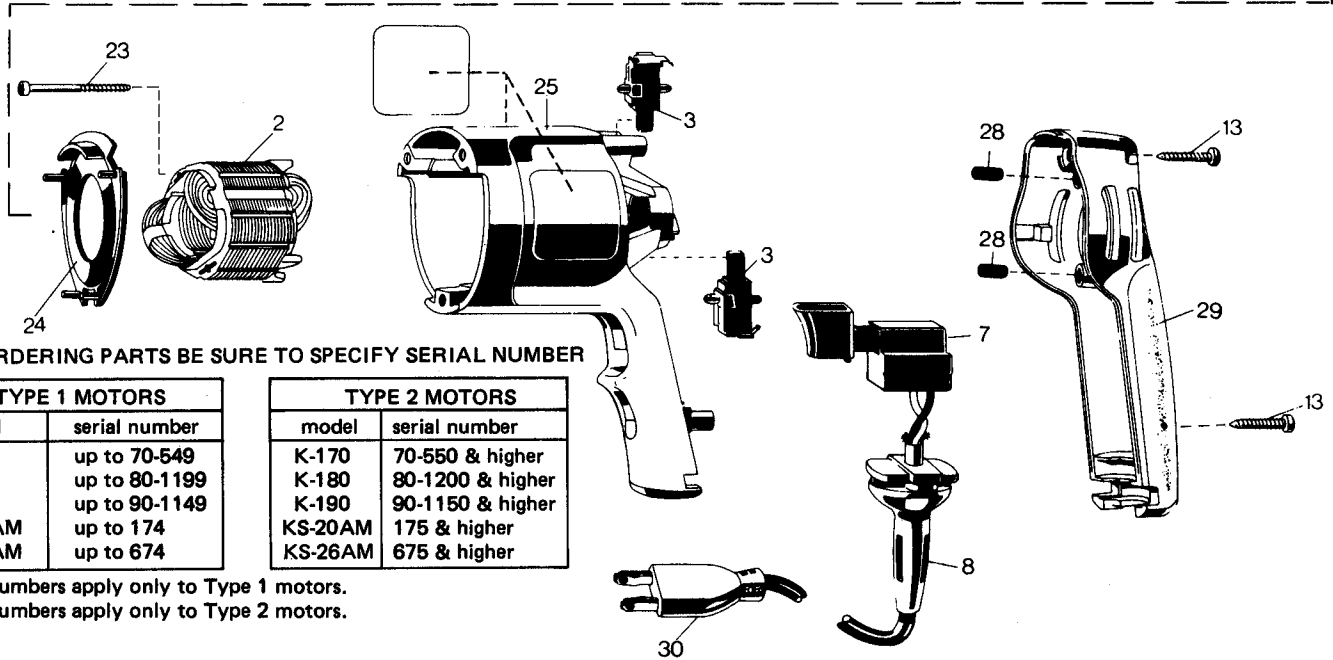
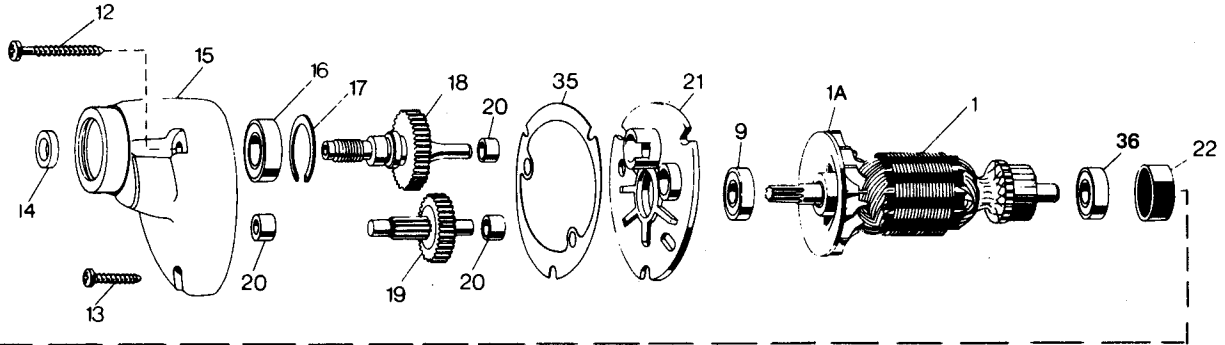




**Component Motor Unit Model 253-35**  
Used on K-170, K-180 and K-190 Shears; KS-20AM and KS-26AM Saws.

# PARTS LIST



WHEN ORDERING PARTS BE SURE TO SPECIFY SERIAL NUMBER

TYPE 1 MOTORS	
model	serial number
K-170	up to 70-549
K-180	up to 80-1199
K-190	up to 90-1149
KS-20AM	up to 174
KS-26AM	up to 674

TYPE 2 MOTORS	
model	serial number
K-170	70-550 & higher
K-180	80-1200 & higher
K-190	90-1150 & higher
KS-20AM	175 & higher
KS-26AM	675 & higher

\*Part numbers apply only to Type 1 motors.  
+Part numbers apply only to Type 2 motors.

## PARTS IDENTIFICATION

ITEM NO.	PART NO.	DESCRIPTION	ITEM NO.	PART NO.	DESCRIPTION
1	*133555-31	Armature & Fan (Incl. 1A)	20	131557	Sleeve Bearing
	+447016-31	Armature & Fan (Incl. 1A)	21	132335	Gear Case Cover (Incl. 20)
1A	93090-03	Fan	22	132332	Rubber Sleeve
2	132345-71	Field	23	91302	8-16 x 1½ Thd. Forming Screw
3	132812	Brush & Holder Assembly	24	131558	Fan Baffle
7	95046	Switch	25	131553-03	Field Case (Incl. 27)
8	132768-98	Cord & Plug (Incl. 30) (18-2 SJT 10')	28	30612	Rubber Plug
9	52029-01	Ball Bearing	29	131657-01	Switch Handle
12	95048	8-16 x 1½ Thd. Forming Screw	30	133350	Plug
13	87184	8-16 x 15/16 Thd. Forming Screw	35	400004	Gasket
14	132809	Spacer	36	400286	Ball Bearing
15	132697-01	Gear Case (Incl. 20)			
16	49423-01	Ball Bearing			
17	87692	Retaining Ring			
18	*132807-01	Spindle & Gear			
	+445352	Spindle & Gear			
19	*132323	Inter. Pinion & Gear			
	+445276-01	Inter Pinion & Gear			

**NOTES:**

- 9 Shield side toward fan
- 29 Be sure that handle has the two rubber plugs (No. 30612) inserted into it before assembly.