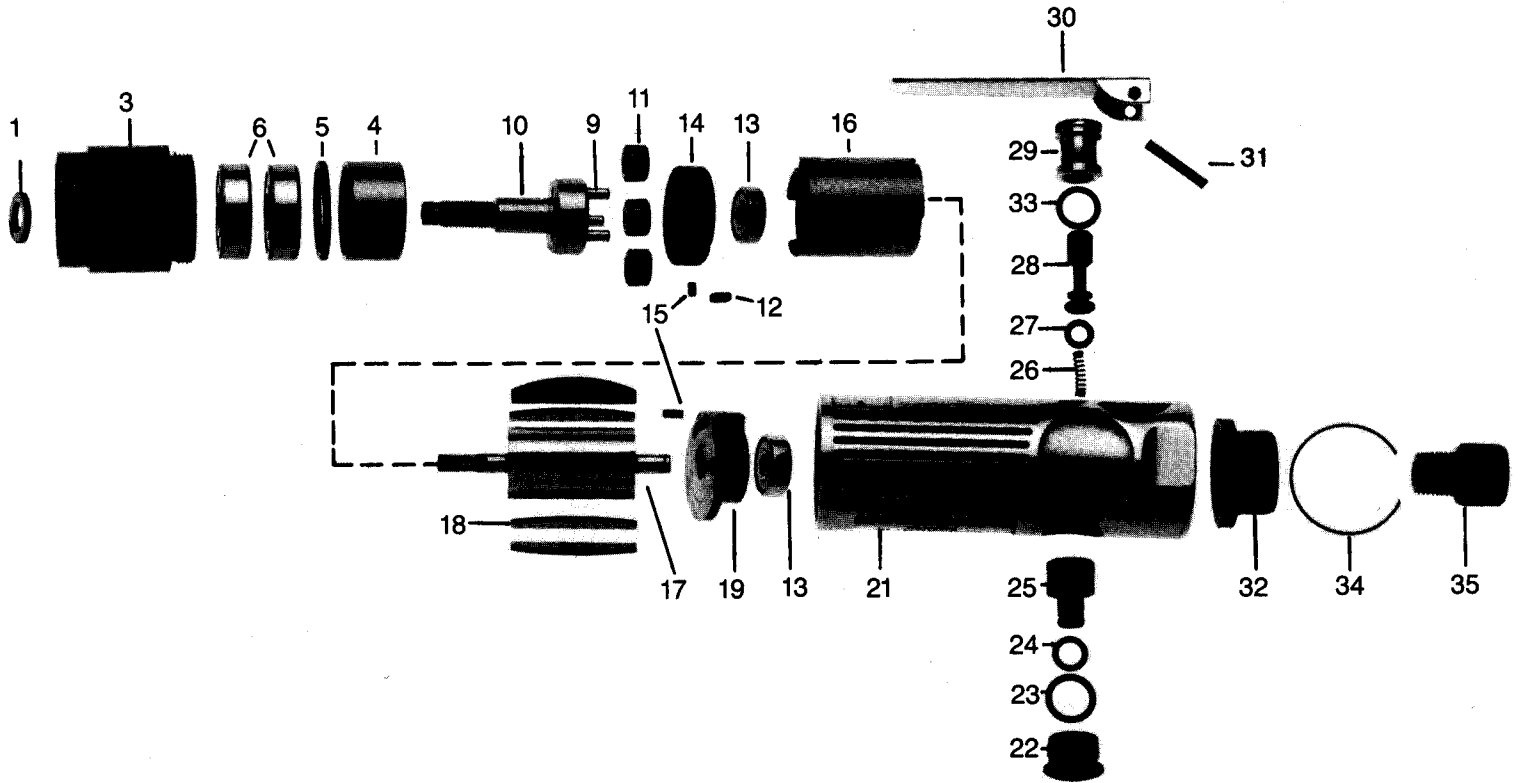




STRAIGHT PNEUMATIC MOTOR  
**PARTS LIST**



**253-56 POWER UNIT**  
**S/N 101 & HIGHER**

\*Use 154-47 Spacer on model PN-1000 Nibbler

\*Use 154-50 Spacer on models P-1060 & P-1080 Shears

Index No.	Part Number	Description	Req'd Tool	Index No.	Part Number	Description	Req'd Tool
1	154-*	Spacer	1	21	820020	Motor Housing	1
3	820002	Clamp Nut	1	22	820021	Retaining Screw	1
4	820003	Internal Gear	1	23	820022	"O" Ring	1
5	820004	Large Spacer	1	24	820023	"O" Ring	1
6	820005	Ball Bearing	2	25	820024	Air Regulator	1
9	820008	Planet Pin	3	26	820025	Spring	1
10	820009	Planet Spindle	1	27	820026	"O" Ring	1
11	820010	Planet Gear & Bushing	3	28	820027	Throttle Valve	1
12	820011	Key	1	29	820028	Valve	1
13	820012	Ball Bearing	2	30	820029	Throttle Leaver	1
14	820013	Front End Plate	1	31	820030	Lever Pin	1
15	820014	Pin	2	32	820031	Exhaust Deflector	1
16	820015	Cylinder	1	33	820032	"O" Ring	1
17	820016	Rotor	1	34	820033	Retaining Clip	1
18	820017	Rotor Blade	4	35	820034	Inlet Bushing	1
19	820018	Rear Plate	1				