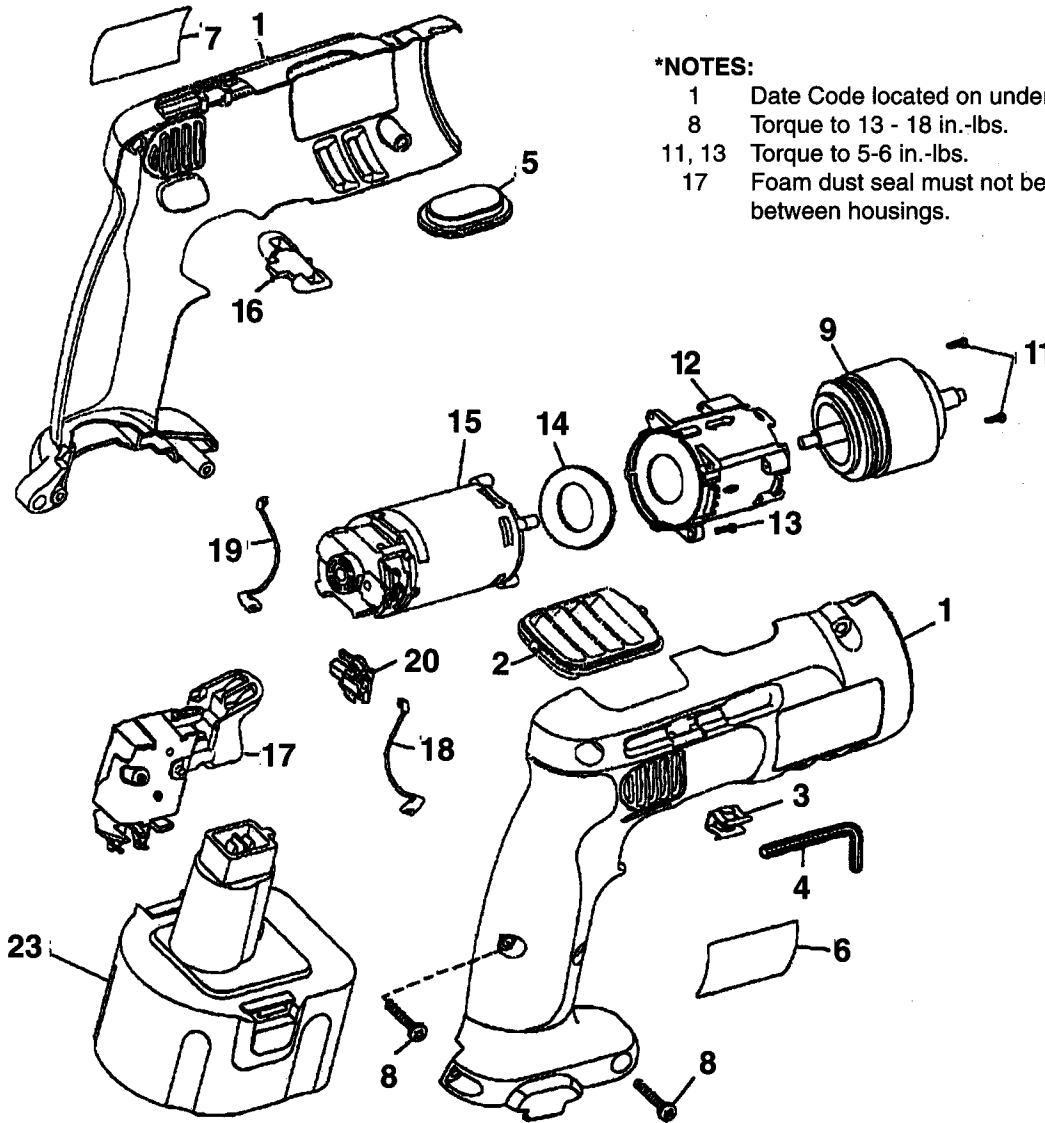


14 Volt Battery Powered Component Motor Unit
Used on KB-301, KB-341, KB-342, KB-380, KB-391, KB-392 Shears

PARTS LIST



***NOTES:**

- 1 Date Code located on underside of housing.
- 8 Torque to 13 - 18 in.-lbs.
- 11, 13 Torque to 5-6 in.-lbs.
- 17 Foam dust seal must not be pinched between housings.

REF. #	PART #	QTY.	DESCRIPTION	REF. #	PART #	QTY.	DESCRIPTION
*1	151791-22	1	Clamshell Set	12	388821	1	Transmission Assy.
2	151681-03	1	Air Vent	*13	98091-10	4	Screw
3	388825	2	Wrench Holder	14	152482	1	Foam Seal
4	150-4	1	Hex Wrench	15	393111-13	1	Motor & Pinion
5	388820-01	1	Plug	16	390416	1	Locking Button
6	390366	1	Nameplate	*17	152274-10	1	Switch
7	390369	1	Identification Label	18	389042	1	Lead Wire (Red)
*8	330019-04	7	Screw	19	389041	1	Lead Wire (Black)
9	388822-01	1	Bearing Housing Assy.	20	383869	2	Brush Box
*11	330019-39	4	Screw	23	KB-302	1	Battery (Accessory)