

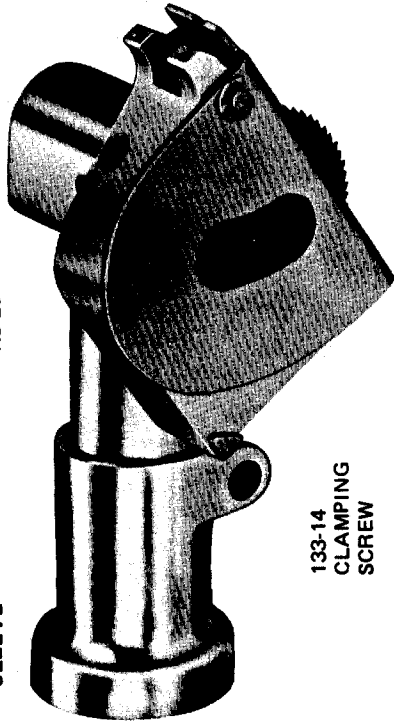


# COMPONENT PARTS OF KS-25 SAW UNIT

\*USE 267-45 SLEEVE ON KS-25AM SAW  
 \*USE 267-89 SLEEVE ON KS-22AM SAW  
 \*USE 567-2A SLEEVE ON KS-26AM SAW

SLEEVE\*

KS-25

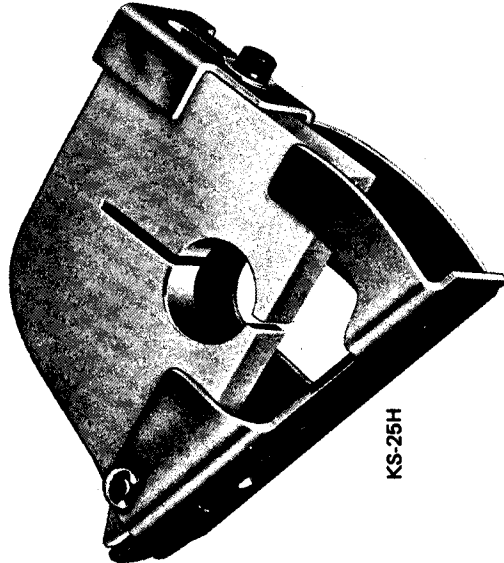


133-14  
CLAMPING  
SCREW



170-25  
COUPLER

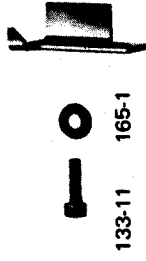
SAW BLADES AVAILABLE						
Blade Part No.	Dia.	No. of Teeth	Bore	Blade Part No.	No. of Teeth	Bore
157-33	1 3/4"	30	7/16"	157-53	30	7/16"
157-34	1 3/4"	44	7/16"	157-54	44	7/16"
157-36	1 3/4"	60	7/16"	157-56	60	7/16"
157-52	2"	22	7/16"	157-58	80	7/16"



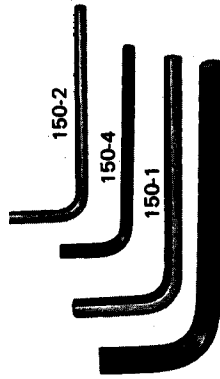
KS-25H



149-6



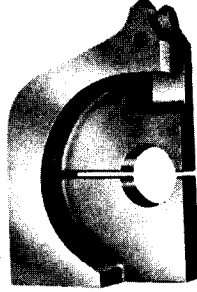
133-11 165-1



150-2  
150-4  
150-1

150-5

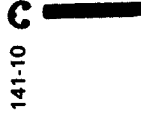
164-4



156-16



133-27



141-10

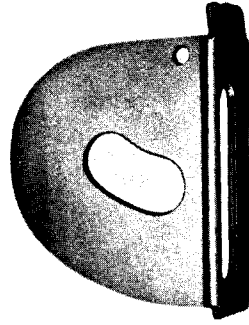
210-1



191-12

141-10

160-20



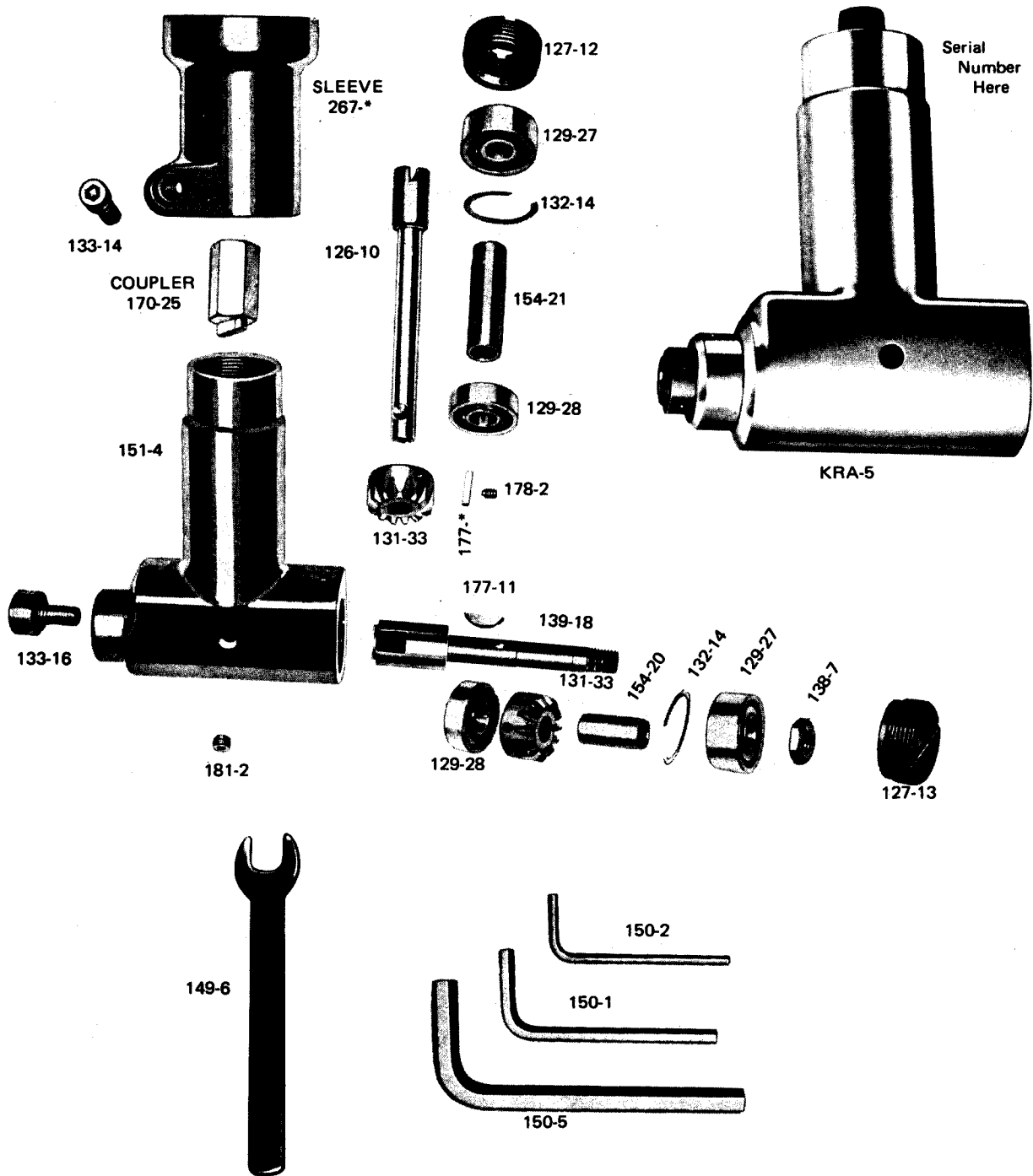
160-20

Part No.	Description	Part No.	Description	Part No.	Description
133-11	Socket Head Cap Screw	150-4	5/32" Socket Key	191-12	Coil Spring
133-14	Clamping Screw	150-5	5/16" Socket Key	210-1	Guard Pin
133-27	Clamping Screw	156-19	Saw Body	267-45	Connecting Sleeve for KS-25AM
141-10	Retaining Ring	160-20	Saw Guard	267-89	Connecting Sleeve for KS-22AM
149-6	Spindle Wrench	164-4	Depth Stop	268-17	KS-25H Saw Body & Guard Assembly
150-1	3/16" Socket Key	165-1	Spacer Washer	567-2A	Connecting Sleeve for KS-26AM
150-2	1/8" Socket Key	170-25	Safety Shear Coupler		

THE KETT TOOL CO. 5055 Madison Road CINCINNATI, OHIO 45227

TELEPHONE 513 / 271-0333

# COMPONENT PARTS FOR KRA-5 GEARED ANGLE HEAD



Part No.	Description	Part No.	Description	Part No.	Description
126-10	Input Spindle	139-18	Output Spindle		S/N 15240 & lower use
127-12	Retaining Screw	149-6	Spindle Wrench		177-7 Square Key,
127-13	Retaining Screw	150-1	3/16 Socket Key		S/N 15241 & higher use
129-27	Ball Bearing	150-2	1/8 Socket Key		177-11 Woodruff Key
129-28	Ball Bearing	150-5	5/16 Socket Key	177-11	Woodruff Key
131-33	Mitre Gear	151-4	Housing	178-2	Socket Head Set Screw
132-14	Shim	154-20	Sleeve	181-2	Screw Plug
133-14	Clamping Screw	154-21	Sleeve	267-*	Sleeve (See reverse
133-16	Spindle Bolt	170-25	Coupler		side of sheet for
138-7	Jam Nut	177-*	Key (See serial number on		Sleeve information)
			neck of KRA-5 above)		

THE KETT TOOL CO. 5055 Madison Road CINCINNATI, OHIO 45227

TELEPHONE: (513) 271-0333