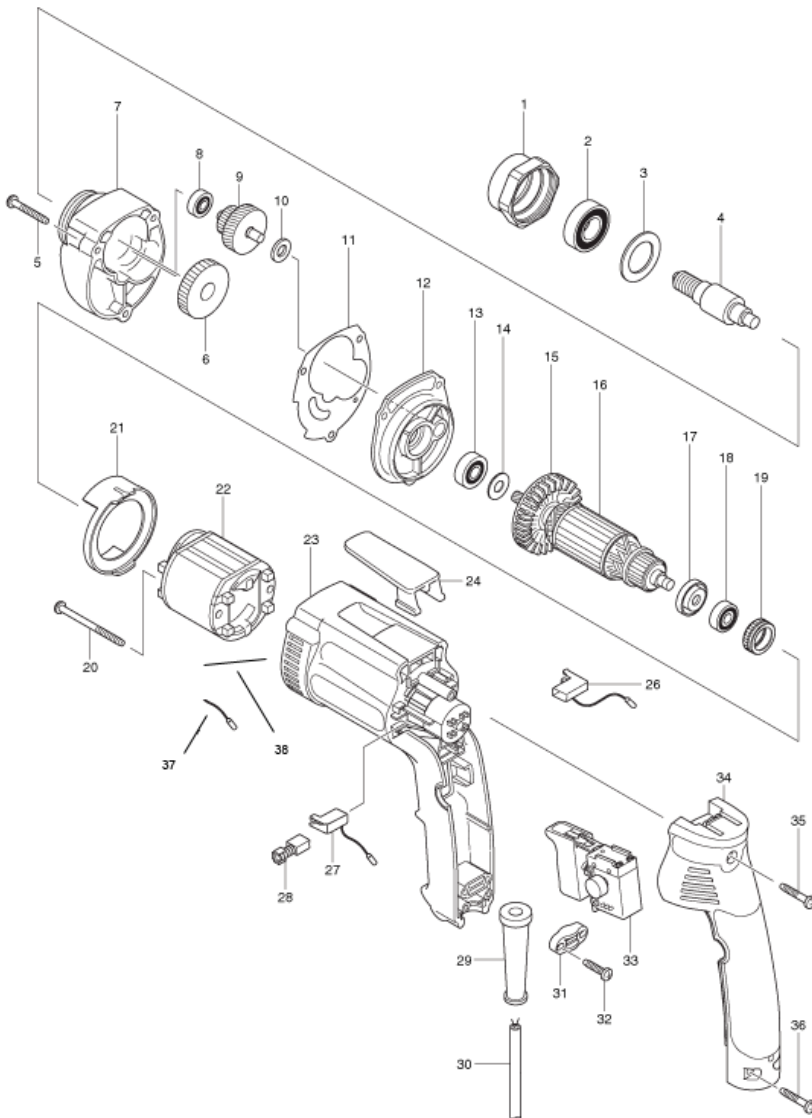




Component Motor Unit Model 253-68

Used on KM-400, KM-440, KM-441, KM-442, KM-446L, KM-446R AND KM-480 Shears

Parts List



Item No.	Part No.	Description	Qty.
1	331880-6	ADAPTOR	1
2	211236-8	BALL BEARING	1
3	253793	FLAT WASHER	1
4	325717-7	SPINDLE	1
5	266050-7	TAPPING SCREW	3
6	227010-4	SPUR GEAR	1
7	317727-8	GEAR HOUSING	1
8	211012-0	BALL BEARING	1
9	226133-5	GEAR COMPLETE	1
10	267017-8	FLAT WASHER	1
11	442136-3	GASKET	1
12	152910-8	GEAR HOUSING COVER	1
13	210007-0	BALL BEARING	1
14	253139-0	FLAT WASHER	1
15	240022-0	FAN	1
16	517321-8	ARMATURE ASSY. 120V INC. 13-15,17,18	1
17	681636-0	INSULATION WASHER	1
18	211021-9	BALL BEARING	1
19	421479-6	RUBBER RING	1
20	266147-2	TAPPING SCREW	2
21	416993-5	BAFFLE PLATE	1
22	633441-1	FIELD 120V	1
23	451374-6	MOTOR HOUSING	1
24	417625-7	HOOK	1
26	643973-0	BRUSH HOLDER	1
27	643971-4	BRUSH HOLDER	1
28	191927-6	CARBON BRUSH	1
29	682559-5	CORD GUARD	1
30	664891-9	POWER CORD	1
31	687063-9	STRAIN RELIEF	1
32	265995-6	TAPPING SCREW	2
33	651296-2	SWITCH	1
34	140141-1	HANDLE COVER	1
34	263002-9	RUBBER PIN	2
35	265999-8	TAPPING SCREW	1
36	265999-8	TAPPING SCREW	2
37	633441-2	LEAD #1	1
38	633441-3	LEAD #2	1